



Brushless Electric Screwdrivers & Accessories



www.kilewest.com

TABLE OF CONTENTS

3	Auto Shut-Off 12V Electric Screwdrivers 0.01–0.34 Nm (0.07–3.08 in-lbs)
4–6	Auto Shut-Off 32V Electric Screwdrivers 0.02–2.94 Nm (0.2–26.0 in-lbs)
7	Slow Start & I/O Control Modules
8	Counting Controllers
9	Torque Meters — KTM-15, KTM-150, KTM-250 0.01–24.5 Nm (0.09–217 in-lbs)
10–11	32V/40VDC Brushless Drivers with Internal Counters 0.15–4.90 Nm (1.33–43.37 in-lbs)
12–15	Auto Shut-Off 115V Electric Screwdrivers 0.15–4.9 Nm (1.33–43.4 in-lbs)
16–17	Screw Feeders For Manual Pickup & Automation
18–19	Tool Support — Torque Arms, Tool Stand, Spring Balancers

BRUSHLESS AUTO SHUT-OFF 12V ELECTRIC SCREWDRIVERS

Torque Range:

0.01–0.34 Nm (0.07–3.08 in-lbs)

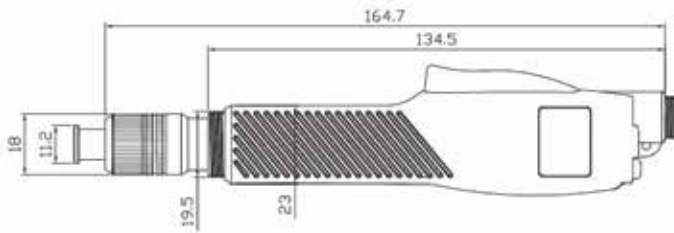
Features:

- Consistent Torque Output — Torque Accuracy $\pm 5\%$ *
- Clean, Brushless Motor Technology
- Dependable, Long Lifespan
- Requires 12VDC Power Supply (Model SKP-12HL)
- Two Speed Selections Available
- Lever Start, Push Button Reverse
- ESD Housing
- Includes 2 Meter Tool Cable, Driver Bits (PH), and Torque Fixing Ring
- Bit Holder Accepts 4mm Round Winged Bits (2 Included)

*Factory test values — actual torque results may vary depending on the specific application, operator input, and test equipment used.



SKP-12HL

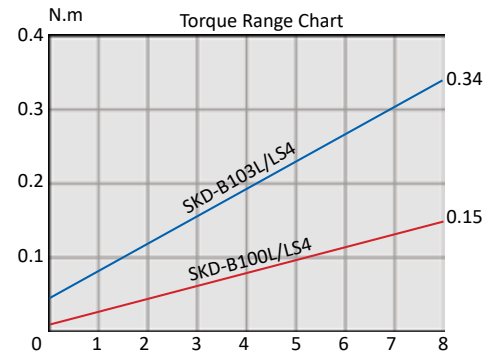


Dimensions (mm)

Model	Bits Included
SKD-B100L/LS4	PH#00, #0
SKD-B103L/LS4	PH#0, #1

Accessories

Model	Torque Fixing Ring	2m, 3-Pin Cable	Spring Balancer
	SKD-B100 Series	KC-9S	AA50001-27N



Specifications

Model (ESD Housing)	Torque (Nm)	Torque (in-lbs)	Speed (rpm)	Start Type	Power Consum.	Weight	Use with Power Supply
SKD-B100L-ESD	0.008–0.15	0.07–1.32	1000/700	Lever	15W	170g 0.4lbs	SKP-12HL
SKD-B100LS4-ESD	0.008–0.15	0.07–1.32	280/200				
SKD-B103L-ESD	0.05–0.34	0.44–3.08	1000/700				
SKD-B103LS4-ESD	0.05–0.34	0.44–3.08	280/200				

BRUSHLESS AUTO SHUT-OFF 32V ELECTRIC SCREWDRIVERS

Torque Range:

0.02–2.94 Nm (0.2–26.0 in-lbs)

Features:

- Consistent Torque Output — Torque Accuracy $\pm 3\%$ *
- Clean, Brushless Motor Technology
- Dependable, Long Lifespan
- Requires 32VDC Power Supply
- Two Speed Selections Available
- Lever or Push Start Models
- Standard or ESD Housing Material
- Includes 2 Meter Tool Cable, Driver Bits (PH), and Torque Fixing Ring

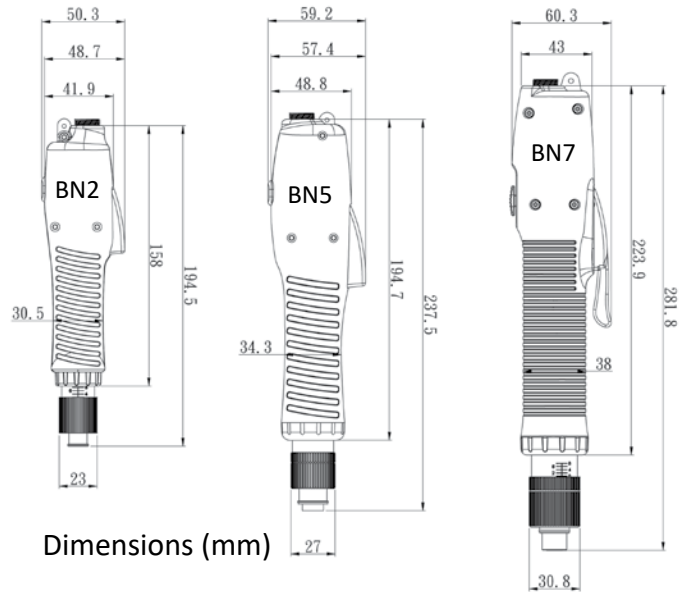
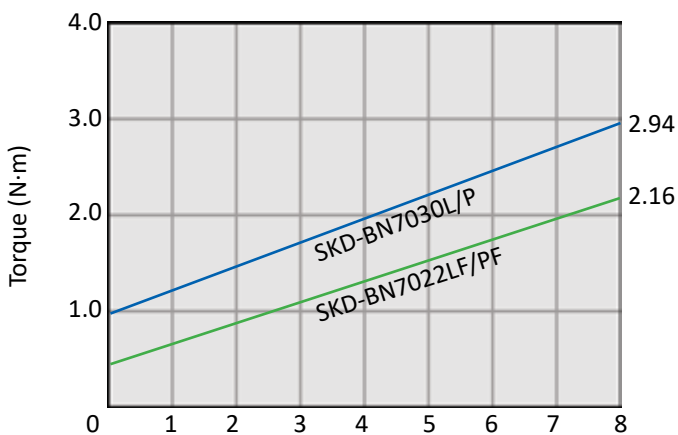
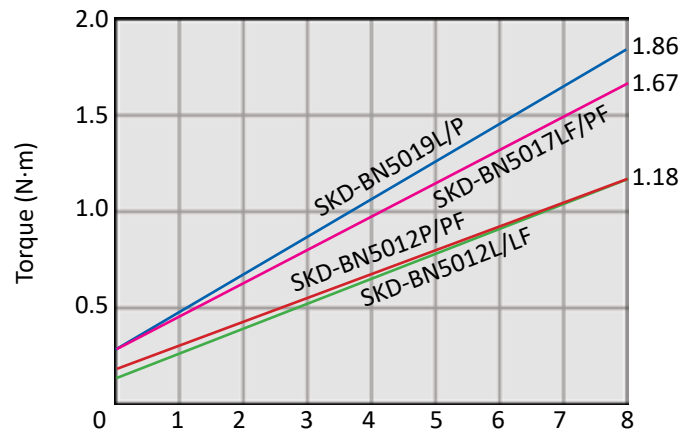
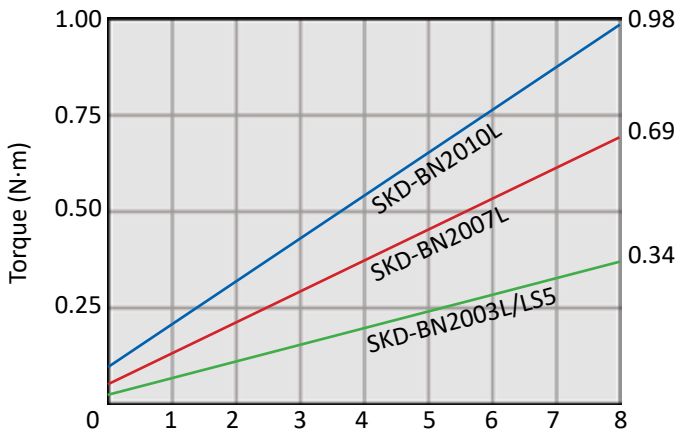
*Factory test values — actual torque results may vary depending on the specific application, operator input, and test equipment used.



Model (Standard Housing)	Model (w/ESD Housing)	Torque Range		Speed (rpm)	Start Type	Power Consum.	Weight
		Nm	in-lbs				
SKD-BN2003L	SKD-BN2003L-ESD	0.02–0.34	0.2–3.0	1000/700	Lever	25W	385 g 0.8 lbs
SKD-BN2003LS5	SKD-BN2003LS5-ESD			500/350			
SKD-BN2007L	SKD-BN2007L-ESD	0.05–0.69	0.5–6.1	1000/700			
SKD-BN2010L	SKD-BN2010L-ESD	0.10–0.98	0.9–8.7	1000/700			
SKD-BN5012L	SKD-BN5012L-ESD	0.15–1.18	1.3–10.4	1000/700			
SKD-BN5012LF	SKD-BN5012LF-ESD			2000			
SKD-BN5012P	SKD-BN5012P-ESD	0.20–1.18	1.8–10.4	1000/700	Push	55W	520 g 1.1 lbs
SKD-BN5012PF	SKD-BN5012PF-ESD			2000			
SKD-BN5017LF	SKD-BN5017LF-ESD	0.29–1.67	2.6–14.8	2000	Lever		
SKD-BN5017PF	SKD-BN5017PF-ESD				Push		
SKD-BN5019L	SKD-BN5019L-ESD	0.29–1.86	2.6–16.5	1000/700	Lever		
SKD-BN5019P	SKD-BN5019P-ESD				Push		
SKD-BN7022LF	SKD-BN7022LF-ESD	0.49–2.16	4.3–19.1	2000	Lever	55W	800 g 1.8 lbs
SKD-BN7022PF	SKD-BN7022PF-ESD				Push		
SKD-BN7030L	SKD-BN7030L-ESD	0.98–2.94	8.7–26.0	1200/900	Lever		
SKD-BN7030P	SKD-BN7030P-ESD				Push		

Power Supply	SKP-32BC-60W	SKP-BE32HL
Use with driver models	SKD-BN2_L SKD-BN5_L/P	SKD-BN5_LF/PF SKD-BN7_L(F)/P(F)
Input	100–240VAC 50/60Hz	
Output	24/32VDC	
Dimensions	145 x 60 x 35 mm	195 x 76 x 56 mm
Weight	250g / 0.6lbs	450g / 1lbs





Dimensions (mm)

Accessories

Model	Torque Fixing Ring	Torque Adjust Tool	Suspension Rack	Spring Balancer
SKD-BN20__L	KC-13C	KW-4	KH-5	KL-600
SKD-BN20__L-ESD	KC-13S			
SKD-BN50__L(F)	KC-6C	KW-3	KH-4 (KH-2 when using torque fixing ring)	KL-1200
SKD-BN50__L(F)-ESD	KC-6S			
SKD-BN50__P(F)	KC-6C			
SKD-BN50__P(F)-ESD	KC-6S	KW-1	KH-2	
SKD-BN70__L(F)	KC-2			
SKD-BN70__L(F)-ESD	KC-2S			
SKD-BN70__P(F)	KC-2			
SKD-BN70__P(F)-ESD	KC-2S			

REPLACEMENT TOOL CABLES (2M CABLE INCLUDED W/ DRIVER)

2m	3m	3m coiled	6m
AA50001-56	AA50001-44	AA50001-105	AA50001-45



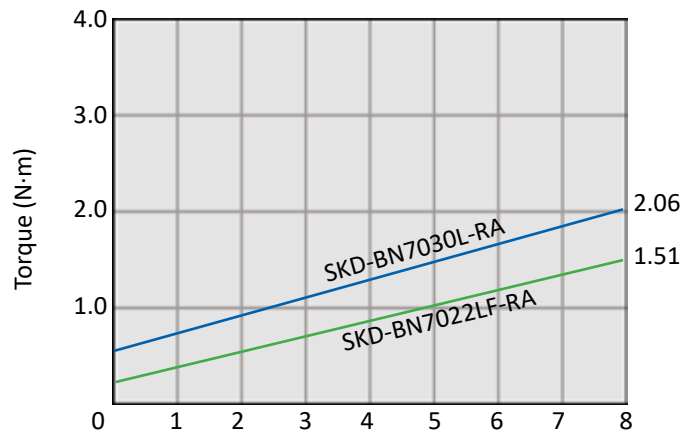
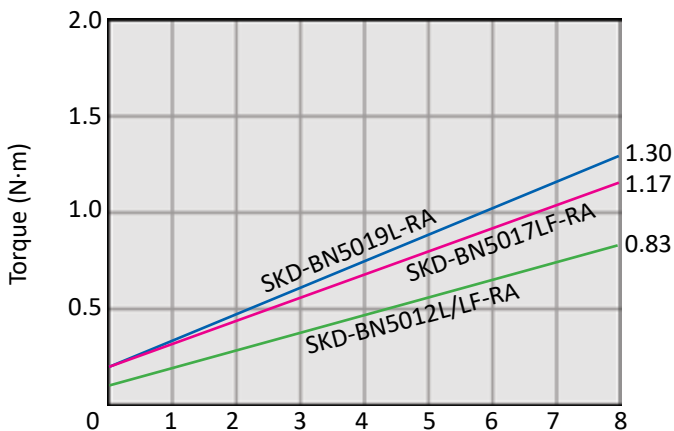
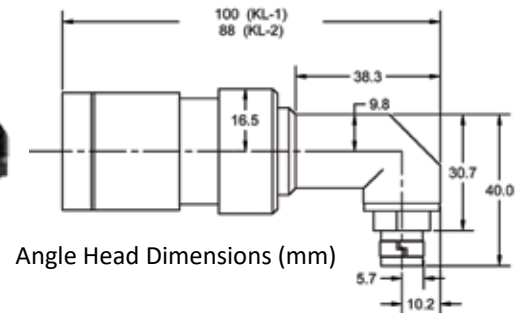
AA50001-56



AA50001-105

-RA RIGHT ANGLE LEVER START DRIVERS

Model (Standard Housing)	Model (w/ESD Housing)	Torque Range		Speed (rpm)	Angle Head Part #	Power Consum.	Weight
		Nm	in-lbs				
SKD-BN5012L-RA	SKD-BN5012L-ESD-RA	0.11–0.83	0.9–7.3	1000/700	KL-2	55W	770 g 1.7 lbs
SKD-BN5012LF-RA	SKD-BN5012LF-ESD-RA			2000			
SKD-BN5017LF-RA	SKD-BN5017LF-ESD-RA	2000					
SKD-BN5019L-RA	SKD-BN5019L-ESD-RA	0.20–1.17	1.8–10.4	1000/700	KL-1		1050 g 2.3 lbs
SKD-BN7022LF-RA	SKD-BN7022LF-ESD-RA	0.34–1.51	3.0–13.4	2000			
SKD-BN7030L-RA	SKD-BN7030L-ESD-RA	0.68–2.06	6.1–18.2	1000/700			



SLOW START & I/O CONTROL MODULES

Features:

- Adjustable slow start speed, which can be set to one of ten values (L0–L9) from 30% to 100% of full speed
- Slow start time can be set up to 9.9 seconds
- Provides three available outputs: tool running, clutch activated and tool in reverse (MOS relay switches)
- Installs in-line between a Kilews SKD-BN series 32VDC screwdriver and a BN series power controller
- Automatic bypass of slow start function when tool is in reverse
- Manual bypass switch will disable slow start function if required
- KL-SCBSN includes a 3M long shielded tool cable to use in place of the unshielded cable included with the screwdriver



KL-SSBN



KL-SCBSN

Specifications

Model	KL-SSBN	KL-SCBSN
Dimensions (L x W x H)	58 x 95 x 35 mm 2.3 x 3.7 x 1.4 in	103 x 100 x 32 mm 4.1 x 3.9 x 1.3 in
Weight	130 g / 0.3 lbs	180 g / 0.4 lbs
Compatible Tools	SKD-BN Series Screwdrivers	
Available Inputs	—	Remote Start, Remote Reverse, Remote Enable / Disable
Available Relay Outputs	Tool Running, Clutch Activated, Tool in Reverse	
Slow Start Time	0.1–9.9 s	0.0–9.9 s
Slow Start Speed	30%–100%	



SKD-BN Series 32V Screwdriver

+



Slow Start Module

+



BN Series Power Controller

SKP-BC32HL-100 COUNTING CONTROLLER

Features:

- Compatible with SKD-BN2, -BN5, and -BN7 series tools
- Selectable slow start speed and time
- Large LED display shows screw count values
- Externally accessible I/O connections
- Programmable batch counting with audible buzzer indicating batch complete
- Programmable time window for comparison with actual fastening cycle time — LEDs indicate OK/NG rundown cycle
- Optional timed auto-reverse for applications requiring back-out after fastening
- Locks to limit access to program modifications
- CE / RoHS / ETL compliant
- Includes a 3M long shielded tool cable to use in place of the unshielded cable included with the screwdriver



Parameters are set up on the SKP-BC32HL-100 using the four button keypad and LED display panel. A simple program loop provides access to settings for slow start speed and time, batch count quantity, and min/max allowable rundown times. During normal operation, the large two-digit display shows the current screw count value and also provides LED indication of whether the rundown was good (OK) or no good (NG) based on the time window parameters that have been programmed into the controller.

Specifications	
Model	SKP-BC32HL-100
Compatible Models	SKD-BN2, SKD-BN5, SKD-BN7
Dimensions (L x W x H)	200 x 130 x 100 mm 7.9 x 5.1 x 3.9 in
Weight	1.6 kg / 3.5 lbs
Input Voltage	100–240VAC, 50/60Hz, 1.2A
Output Voltage	32/24VDC, 60W
Outlets	1
Count (per batch)	1–99 fasteners
Speeds	Hi / Lo
External Inputs	Remote Start / Reverse / Disable / Confirm / Enable / Clear
External Outputs	OK / NG / OK ALL
Slow Start Time	0.0–9.9 s
Slow Start Speed	30%–100%
Approvals	CE / RoHS / ETL

TORQUE METERS: KTM-15, KTM-150, KTM-250

Features:

- Ideal for electric screwdrivers
- Easy to set-up and use
- Comes with a certificate of calibration
- Data export via USB 1.0 (cable not included)
- Stores up to 800 readings
- Selectable measuring units: Lbf.in, Kgf.cm, Nm
- Portable — Rechargeable battery — Long life
- Auto zero feature
- Program high and low torque limits
- Display readings/statistics — Minimum, Maximum and Average Torque for a group of rundowns
- Select between peak, real time, and peak down (initial peak) measuring modes
- Measures both clockwise and counterclockwise torque
- Includes an AC charger and rundown joints, all in a protective carrying case



KTM-150

Specifications

Model		KTM-15	KTM-150	KTM-250
Measuring Ranges	kgf.cm	0.1–15.0	1.5–150.0	3.0–250.0
	lbf.in	0.09–13.02	1.3–130.02	2.6–217.0
	N.m	0.01–1.47	0.15–14.7	0.29–24.5
Accuracy	±0.5% (or ±1 digit)			
Power Supply	4 x 1.2V Battery			
Charging Time	Within 3 hours			
Continuous Operation At Full Charge	Approx. 12 hours			
Battery	Rechargeable ~300 times, depending on conditions			
Dimensions (L x W x H)	230 x 125 x 65 mm	230 x 125 x 65 mm	210 x 160 x 45 mm	
Weight	1.8 kg / 4 lbs	1.8 kg / 4 lbs	2.0 kg / 4.4 lbs	
Special Charger	Input AC100–240V, 50/60Hz Output DC12V 400mA			
Included Test Joints	AJ-3 AJ-15	AJ-15K AJ-50K AJ-150	AJ-250	

BRUSHLESS DRIVERS WITH INTERNAL COUNTERS

The Kilews SKD-BE Series tools integrate the performance of a DC Shut-Off Clutch Brushless Screwdriver with a programmable, handle-mounted Batch Counter. Each tool includes driver bits (PH), a torque fixing ring, and a 2m cable to connect to a 32V or 40VDC Power Supply (sold separately).

Features:

- Batch count value can be set from 0–99 screws/batch. Screwdriver will count down by one each time a good fastener rundown is completed.
- LED display shows the current screw count value
- Programming mode may be used to set up parameters for assembly or locked to prevent tampering
- User-configurable time window for fastener installation: Only fastener rundowns which occur within the specified window will be accepted as good (OK) and cause the count to increment. Rundowns completed outside the time window will be considered no good (NG), as might occur if the screw was cross-threaded (time too short) or stripped (time too long).
- Visual and audible indicators are available to let the operator know if the rundown was OK or NG, and when the batch has been completed
- Can be hard-wired with additional output signal cable (included) to output rundown status to a PLC (consult Kilews West or a distributor for further details on connecting output signals)



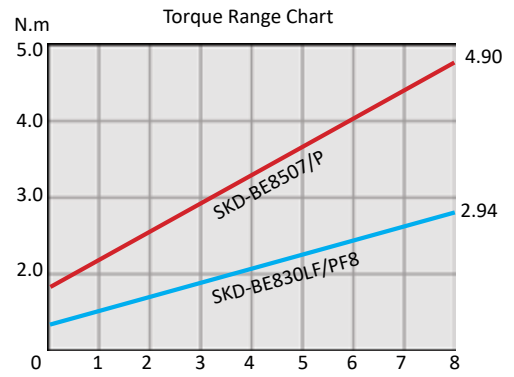
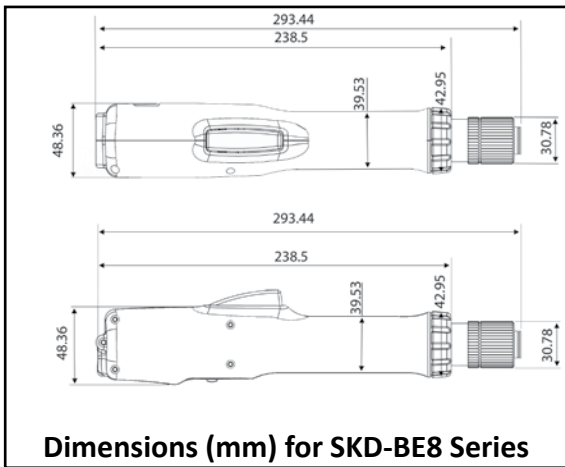
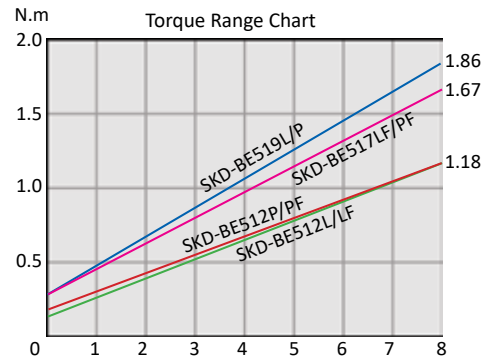
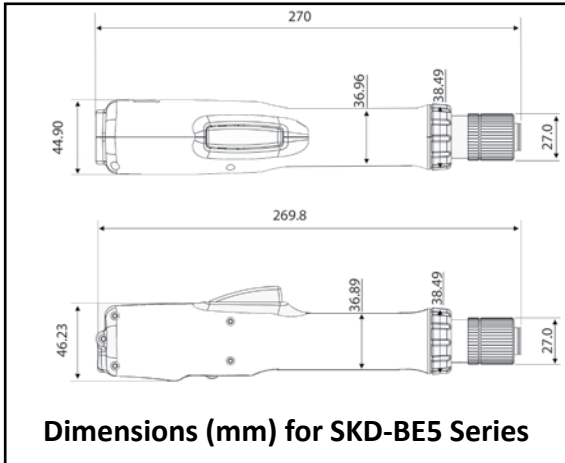
SKD-BE850-ESD

Model	Bits Included
SKD-BE5	PH#1, #2
SKD-BE8	PH#2 (x2)

Specifications

Model (w/ESD Housing)	Torque Range		Speed (rpm)	Start Type	Power Consum.	Weight	Use with Power Supply	
	Nm	in-lbs						
SKD-BE203LS5-ESD *	0.02–0.34	0.18–3.01	500	Lever	25W	330 g 0.73 lbs	SKP-32BC-60W	
SKD-BE207L-ESD *	0.05–0.69	0.44–6.10	1000					
SKD-BE210L-ESD *	0.10–0.98	0.89–8.67	1000					
SKD-BE210P-ESD *	0.2–0.98	1.77–8.67	1000	Push	55W	580 g 1.3 lbs	SKP-32BC-60W or SKP-BE32HL (‘F’ fast tools)	
SKD-BE512L-ESD	0.15–1.18	1.33–10.44	1000	Lever				
SKD-BE512LF-ESD	0.15–1.18	1.33–10.44	2000					
SKD-BE517LF-ESD	0.29–1.67	2.57–14.78	2000					
SKD-BE519L-ESD	0.29–1.86	2.57–16.46	1000					
SKD-BE512P-ESD	0.2–1.18	1.77–10.44	1000	Push				
SKD-BE512PF-ESD	0.2–1.18	1.77–10.44	2000					
SKD-BE517PF-ESD	0.29–1.67	2.57–14.78	2000					
SKD-BE519P-ESD	0.29–1.86	2.57–16.46	1000					
SKD-BE830L-ESD	0.98–2.94	8.67–26.02	1000					Lever
SKD-BE830LF-ESD	0.98–2.94	8.67–26.02	2000		120W			
SKD-BE850L-ESD	1.96–4.90	17.35–43.37	1000	Push	90W			
SKD-BE830P-ESD	0.98–2.94	8.67–26.02	1000		120W			
SKD-BE830PF-ESD	0.98–2.94	8.67–26.02	2000					
SKD-BE850P-ESD	1.96–4.90	17.35–43.37	1000					

*Products available through special order



Accessories				
Model	Torque Fixing Ring	Torque Adjust Tool	Suspension Rack	Spring Balancer
SKD-BE5				
SKD-BE8	KC-7S	KW-1	KH-2	

SK-B5 SERIES AUTO SHUT-OFF 115VAC SCREWDRIVERS

Torque Range:

0.15–2.16 Nm (1.33–19.12 in-lbs)

Features:

- Consistent Torque Output — Torque Accuracy $\pm 3\%$ *
- Clean, Brushless Motor Technology
- Dependable, Long Lifespan
- Outperforms Brush-type Drivers
- Plugs Directly into 115VAC Receptacle
- Input 110–120VAC, 50/60Hz, 48W
- Integral 3m Power Cord w/ US Plug
- Approval — ETL Listed (cETLus)
- Lever or Push Start Models
- Right Angle Version Available



AUTO-SHUT OFF
DIRECT PLUG-IN
SCREWDRIVER

STABLE TORQUE
OUTPUT



1/4" HEX
BIT HOLDER



*Factory test values — actual torque results may vary depending on the specific application, operator input, and test equipment used.

Each Screwdriver Includes:

2x Driver Bits (PH #2)



Torque Fixing Ring

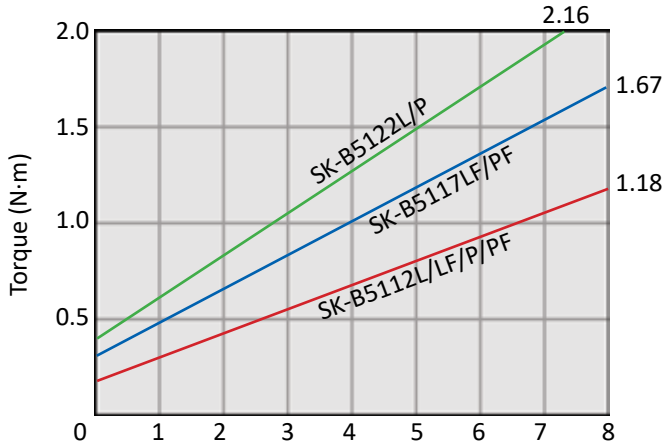


Suspension Bail

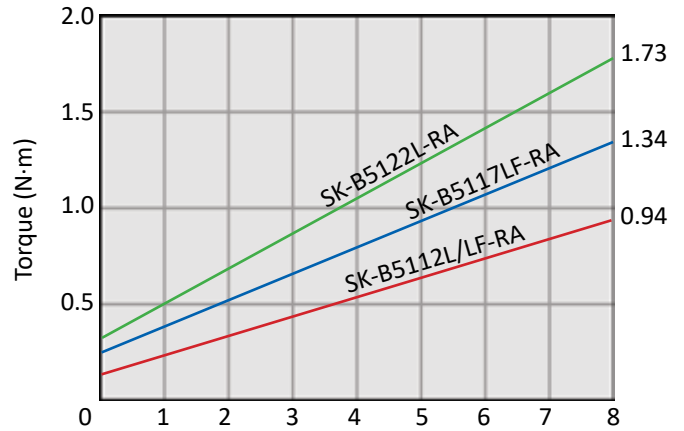


Model	Torque Range			Speed (rpm)	Start Type	Screw Diameter (mm)		Length (mm)	Weight
	Nm	kgf-cm	in-lbs			Machine	Tapping		
SK-B5112L	0.15–1.18	1.5–12	1.33–10.44	1200	Lever	1.6–3.0	1.6–2.6	245	470 g 1.0 lbs
SK-B5112LF				2000					
SK-B5112P	0.2–1.18	2–12	1.77–10.44	1200	Push	1.6–3.0	1.6–2.6		
SK-B5112PF				2000					
SK-B5117LF	0.29–1.67	3–17	2.57–14.78	2000	Lever Push	1.6–3.5	1.6–3.0		
SK-B5117PF				2000					
SK-B5122L	0.39–2.16	4–22	3.47–19.12	1200	Lever	2.3–4.0	2.3–3.5		
SK-B5122P					Push				

Inline Drivers



Right Angle Drivers



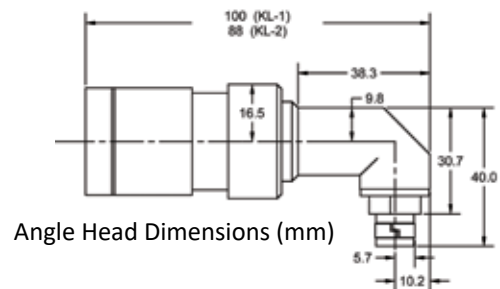
-RA RIGHT ANGLE LEVER START DRIVERS

Model	Torque Range			Speed (rpm)	Screw Diameter (mm)		No-Load Current	Angle Head Part	Weight
	Nm	kgf-cm	in-lbs		Machine	Tapping			
SK-B5112L-RA	0.12–0.94	1.2–9.6	1.06–8.35	1200	1.6–3.0	1.6–2.6	0.4A	KL-2	720 g 1.6 lbs
SK-B5112LF-RA				2000					
SK-B5117LF-RA	0.23–1.34	2.4–13.6	2.06–11.82	2000	1.6–3.5	1.6–3.0			
SK-B5122L-RA	0.31–1.73	3.2–17.6	2.77–15.296	1200	2.3–4.0	2.3–3.5			



Accessories

Torque Fixing Ring	Suspension Rack	Spring Balancer
KC-6C	KH-4 (For Inline Tools Only)	KL-1200



SK-B6 SERIES AUTO SHUT-OFF 115VAC SCREWDRIVERS

Torque Range:

0.49–4.9 Nm (4.34–43.4 in-lbs)

Features:

- Consistent Torque Output — Torque Accuracy $\pm 3\%$ *
- Clean, Brushless Motor Technology
- Dependable, Long Lifespan
- Outperforms Brush-type Drivers
- Plugs Directly into 115VAC Receptacle
- Input 110–120VAC, 50/60Hz, 48W
- Integral 3m Power Cord w/ US Plug
- Approval — ETL Listed (cETLus)
- Lever or Push Start Models
- Right Angle Version Available



*Factory test values — actual torque results may vary depending on the specific application, operator input, and test equipment used.

Each Screwdriver Includes:

2x Driver Bits (PH #2)



Torque Fixing Ring



Suspension Bail



AUTO-SHUT OFF
DIRECT PLUG-IN
SCREWDRIVER

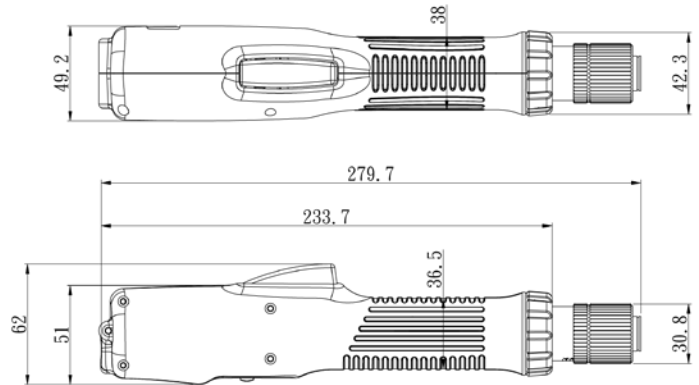
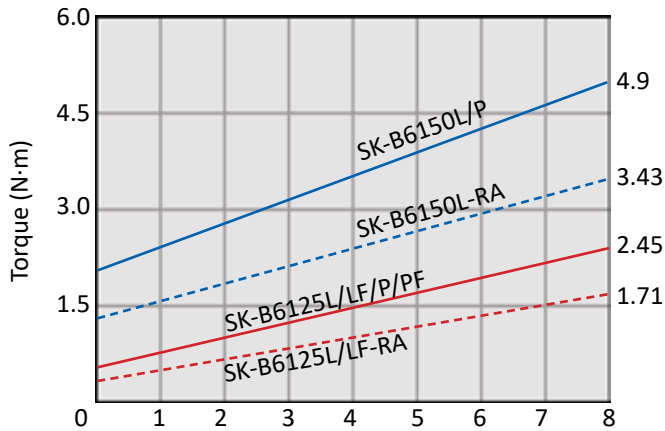
STABLE TORQUE
OUTPUT



1/4" HEX
BIT HOLDER



Model	Torque Range			Speed (rpm)	Start Type	Screw Diameter (mm)		Length (mm)	Weight
	Nm	kgf-cm	in-lbs			Machine	Tapping		
SK-B6125L	0.49–2.45	5–25	4.34–21.7	1000	Lever	2.6–4.0	2.6–3.5	280	740 g 1.6 lbs
SK-B6125LF				2000					
SK-B6125P				1000	Push				
SK-B6125PF									
SK-B6150L	1.96–4.9	20–50	17.4–43.4	1000	Lever	4.0–5.0	≤4.0		
SK-B6150P				1000					Push



Tool Dimensions (mm)

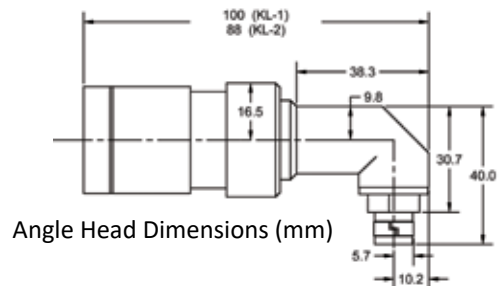
-RA RIGHT ANGLE LEVER START DRIVERS

Model	Torque Range			Speed (rpm)	Screw Diameter (mm)		No-Load Current	Angle Head Part	Weight
	Nm	kgf-cm	in-lbs		Machine	Tapping			
SK-B6125L-RA	0.34–1.71	3.5–17.5	3.0–15.2	1000	2.6–4.0	2.6–3.5	90W	KL-1	990 g 2.2 lbs
SK-B6125LF-RA				2000					
SK-B6150L-RA	1.37–3.43	14–35	12.2–30.4	1000	4.0–5.0	≤4.0	120W		



Accessories

Torque Fixing Ring	Suspension Rack	Spring Balancer
KC-7C	KH-2L (For Inline Tools Only)	KL-1200



Angle Head Dimensions (mm)

SCREW FEEDERS FOR MANUAL PICKUP

Features:

- Improve productivity — screw dispensed for easy pick-up
- Magnetic pick-up of ferrous screws
- Precise vibration control allows feeding of many different screw types and sizes
- Individual driver motors for vibration and feeding
- Auto shut-off of vibration/feed when not in use
- Quiet operation — simple service and set-up
- Great value — very cost effective way to increase productivity
- Small size — does not clutter work space
- Includes AC adapter, set-up tools and shims



KFR-1050



KFA-0820H

Specifications

Model	KFR-1050	KFA-0850H	KFA-0820H
Dimensions (L x W x H)	182 x 126 x 147 mm	182 x 124 x 150 mm	160 x 82 x 112 mm
Weight (w/o adapter)	2.49kg / 5.5lbs	3.1kg / 6.8lbs	1.53kg / 3.3lbs
Power Source	100–240VAC	100–240VAC	100–240VAC
AC Adapter	15VDC	12VDC	12VDC
Applicable Screw	M1.0–M5.0 (Adjustable)	M1.2 / M1.4 / M1.7 / M2.0 / M2.3 / M2.6 / M3.0 / M3.5 / M4.0 / M5.0 (Specify size when ordering)	M0.8 / M1.0 / M1.2 / M1.4 / M1.7 / M2.0 (Specify size when ordering)
Applicable Screw Thread Length	≤19 mm	≤12 mm	≤5 mm

To order KFA-0820H, add screw size to model number as a suffix (eg.- for M1.4 screws specify 'KFA-0820H-1.4')

SCREW FEEDERS FOR VACUUM PICKUP & AUTOMATION

Features:

- Ideal for robotic applications — magnetic or vacuum pick-up
- Signal output when screw is ready for pick-up
- Brushless driver motors for vibration and feeding
- Quiet operation — simple service and set-up
- Integrated screw counter with LED displays for assembly process feedback
- Small size — does not clutter work space
- Includes AC adapter, set-up tools and shims



KFA-0830



KFA-0820A

Specifications

Model	KFA-0850A	KFA-0830	KFA-0820A
Dimensions (L x W x H)	182 x 124 x 150 mm	182 x 124 x 146 mm	160 x 82 x 112 mm
Weight (w/o adapter)	3.1kg / 6.8lbs	3.0kg / 6.6lbs	1.46kg / 3.2lbs
Power Source	100–240VAC		
AC Adapter	12VDC		
Applicable Screw	M1.2 / M1.4 / M1.7 / M2.0 / M2.3 / M2.6 / M3.0 / M3.5 / M4.0 / M5.0 (Specify size when ordering)	M0.8 / M1.0 / M1.2 / M1.4 / M1.7 / M2.0 / M2.3 / M2.6 / M3.0 (Specify size when ordering)	M0.8 / M1.0 / M1.2 / M1.4 / M1.7 / M2.0 (Specify size when ordering)
Applicable Screw Thread Length	≤12 mm	≤15 mm	≤5 mm

To order the above models, add screw size to the model number as a suffix (eg.- for a KFA-0820A with M1.4 screws specify 'KFA-0820A-1.4')

TORQUE ARMS

KP-AUX5

- Torque reaction arm complete with work platform
- Painted steel work platform is 450 x 320 mm
- Ball bushing provides smooth vertical travel
- Includes tool balancer to support weight of the screwdriver
- Smooth, fluid motion of arm is ideal for precise positioning of lower torque tools
- Special tool holder is designed to hold SKD-BN5 series screwdrivers



KP-AUX5

KP-AUX-1T

- Parallel arm design, keeps screwdriver perpendicular to work surface
- Nitrogen gas shock supports the weight of the tool
- Optional KP-VA1 adapter is available to allow tool to be positioned at different angles



KP-AUX-1T

Specifications

Model	KP-AUX-1T	KP-AUX5
Description	Suspension Arm	Suspension Station
Working Range (mm)	50-830	50-340
Compatible with	SKD-BE8 Series (Consult factory for adapters for use with other models)	SKD-BN500 Series SKD-BE500 Series SKD-5000 Series
Optional Accessory	KP-VA1 Adjustable Tool Holder	KL-1200 Spring Balancer

TELESCOPIC TORQUE ARMS

- Telescoping torque reaction arm with a wall mount bracket
- Smooth linear motion and wide range of travel
- Constructed from light weight aluminum alloy
- Tool holder accommodates a range of tool diameters



Specifications

Model	KP-AUX-B50-1000	KP-AUX-B50-1200
Max Torque (Nm)	50	
Working Range (mm)	430-1000	500-1200
Tool Diameter (mm)	38.5-52	
Type	Wall-Mounted	
Compatible with	All Kilews West Drivers	

OTHER TOOL SUPPORT

KW-TOOL STAND

- Supports up to 2.3kg (5lbs)
- Aluminum construction
- Adjustable height up to 110cm (44 in)
- 60cm (24 in) reach with slide hanger for horizontal motion
- Arm pivots 180 degrees



KW-TOOL STAND	Tool Stand — 110cm height, 60cm reach, 2.3kg max load
KW-ARMKIT	Extra Arm Kit — Add another arm to the tool stand, 60cm reach, includes slider and hanging clip
KW-CLAMP	Bench Clamp — Fastens stand to edge of workbench without drilling

SPRING BALANCERS

- Suspends driver over work area for easy access
- Adjustable spring tension
- Travel distance of up to 1.8m



Specifications		
Model	KL-600	KL-1200
Weight Range	0.3–0.6kg / 0.7–1.3lbs	0.6–1.5kg / 1.3–3.3lbs
Travel Distance	1.8m	



**Screwdrivers assembled in USA
by Kilews West USA Inc**

6945 LTC Parkway, Port St. Lucie, FL 34986

**Ph. 772-293-0071
Fx. 772-465-4368**

**sales@kilewest.com
www.kilewest.com**



Cat# KW0916